

TRI-GEMINI LLC
 Custom Machining - Graphite - EDM Sinker Supplies

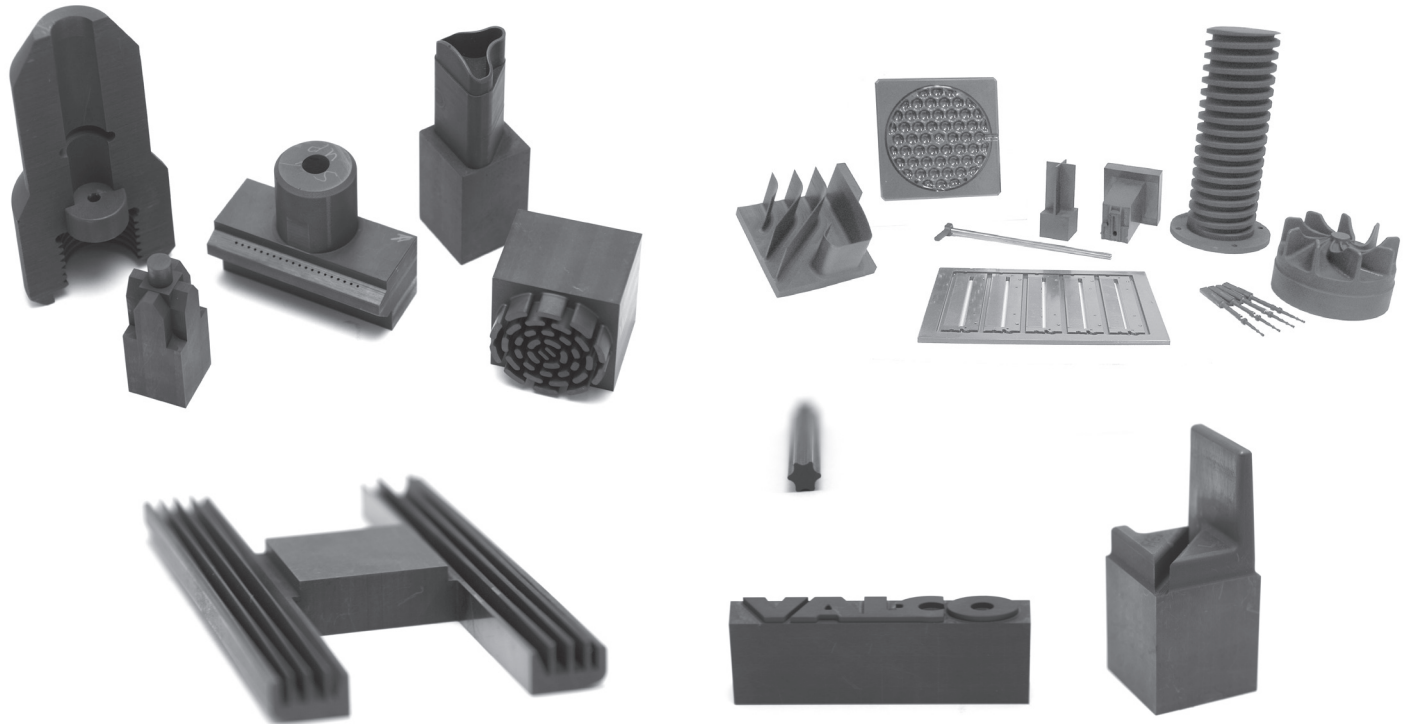
Electrode machining, graphite and
 EDM SINKER Supplies from an established and
 experienced provider. **Contact us today!**

1-800-561-6250 • www.tri-gemini.com

POCO
 GRAPHITE
An Entegris Company

TOYO TANSO
 Inspiration for Innovation

Commonwealth
 Oil
 a Wallover Company



TRI-GEMINI LLC
 Custom Machining - Graphite - EDM Sinker Supplies

4129 May Street, Hillside, IL 60162

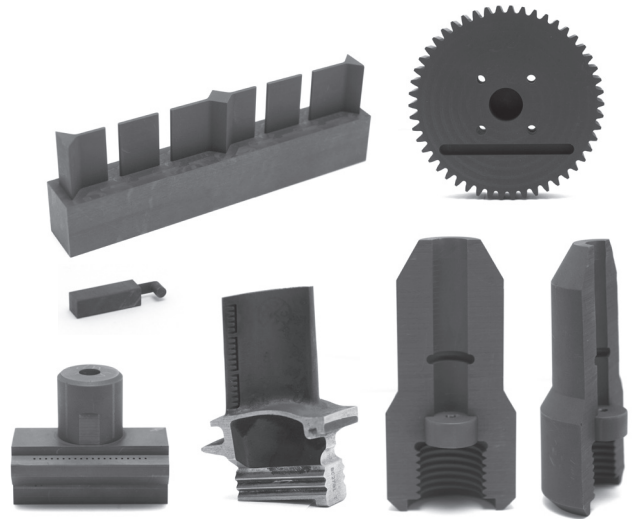
Phone 708-786-4300 • 800-561-6250

Fax 708-681-6280

www.tri-gemini.com • sales@tri-gemini.com

Custom Electrode and Graphite Component Machining

- Complete facility for manufacturing custom EDM electrodes to your exact specifications; graphite or metallic, as well as graphite components for non-EDM applications.
- CNC milling, CNC turning and precision grinding.
- Prints or geometric shapes transferable by IGES, DXF or DWG files.



Graphite

- Master distributor for POCO EDM, Toyo Tanso and Ibiden graphite grades.
- MicroGraph graphite grades
- Precision machined blanks, rounds, plates, rods, tubes and squares.
- Blanks or electrodes drilled and tapped to fit any tooling system.
- Tapping electrodes—standard or orbiting, NPT, metric.



Metallics, Accessories and Supplies

- Copper tungsten
- Tungsten wire electrodes
- Tellurium copper
- Tungsten carbide tubes and rods
- Master distributor for the complete family of Commonwealth dielectric fluids
- Sinker filters
- Coolant and micro-flush drills
- Vortex dust guards



4129 May Street, Hillside, IL 60162

Phone 708-786-4300 • 800-561-6250

Fax 708-681-6280

www.tri-gemini.com • sales@tri-gemini.com